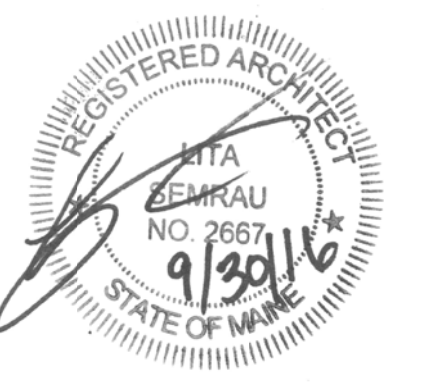




**PORT CITY ARCHITECTURE**

65 NEWBURY STREET  
PORTLAND, ME 04101  
207.761.9000



Consultants:

**PARAPET & ROOF PERMIT SET**

**NEWPORT DEVELOPMENT ASSOCIATES**

164 Middle St  
Portland, Maine

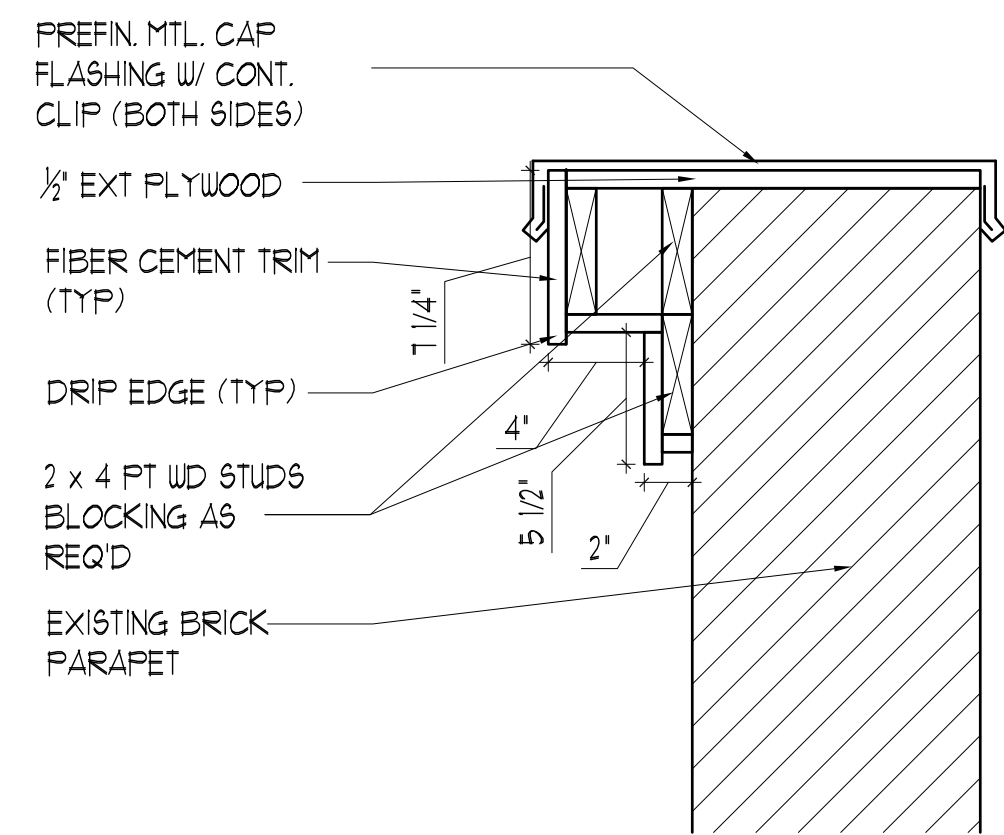
#	DATE	DESCRIPTION

Date Issued September 30, 2016  
 Project Number 16201  
 Drawing Scale AS NOTED

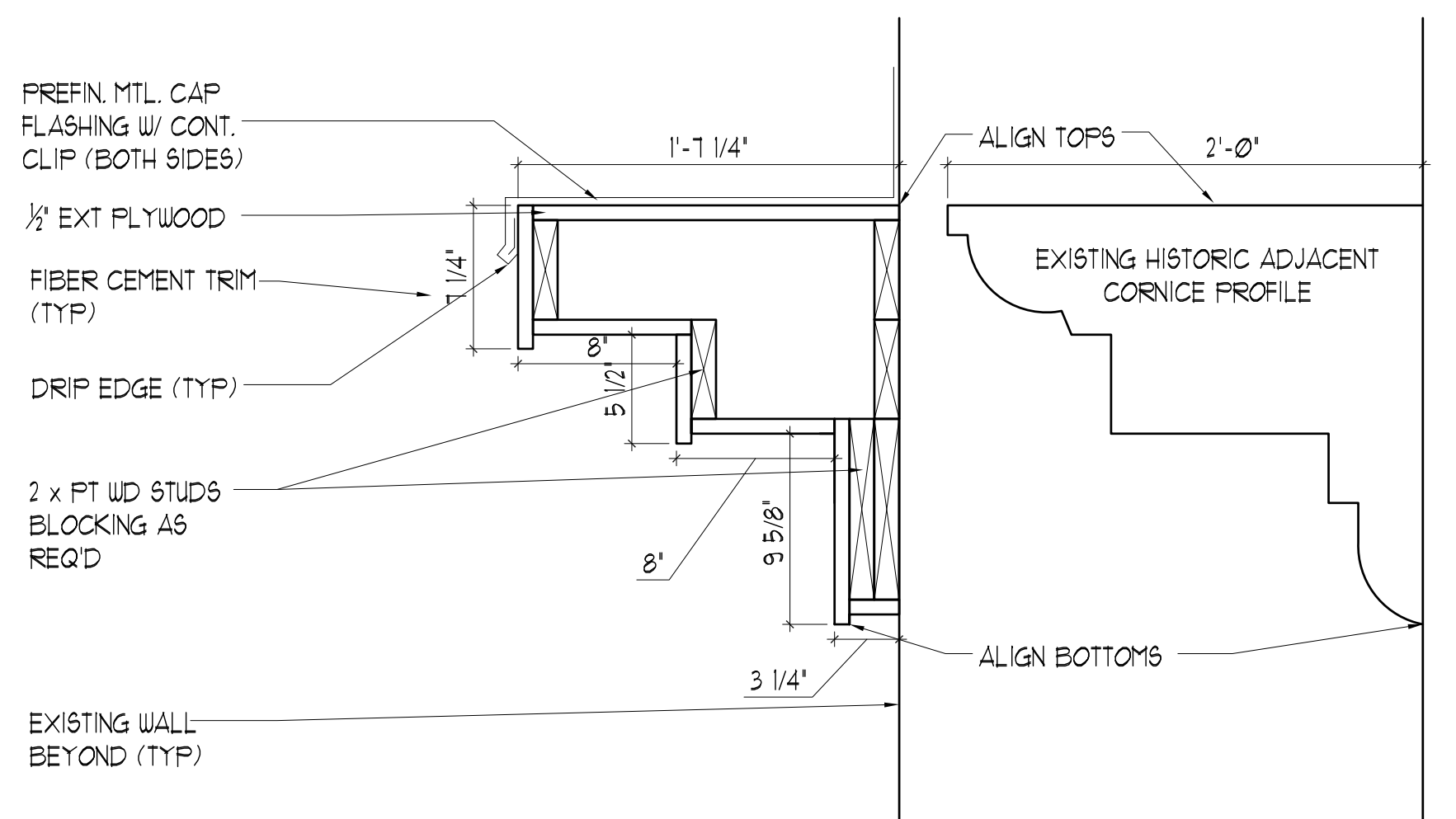
**DETAILS**

Drawn By  
J.P. C.M.  
T.S. CR.  
Checked By  
L.A.S.

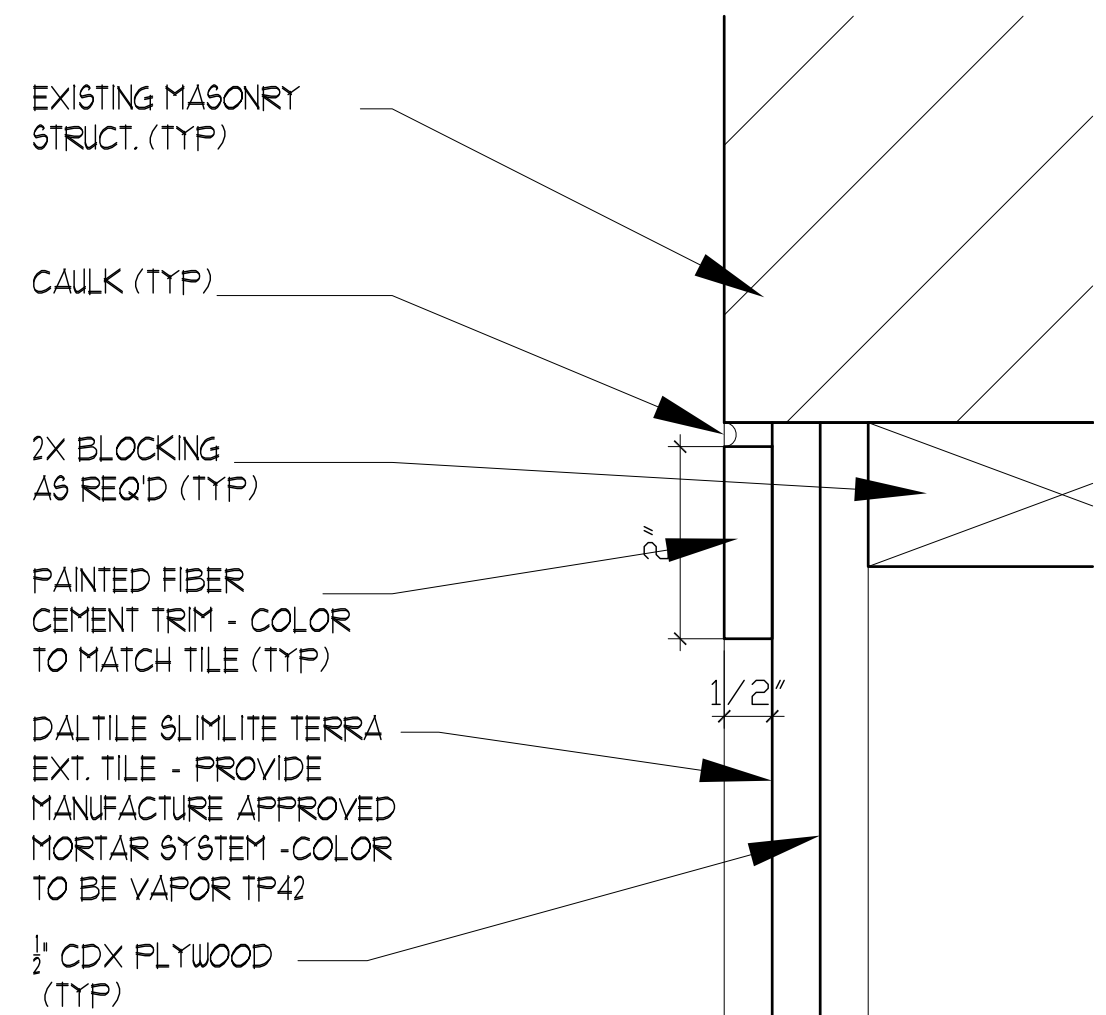
**A4.1**



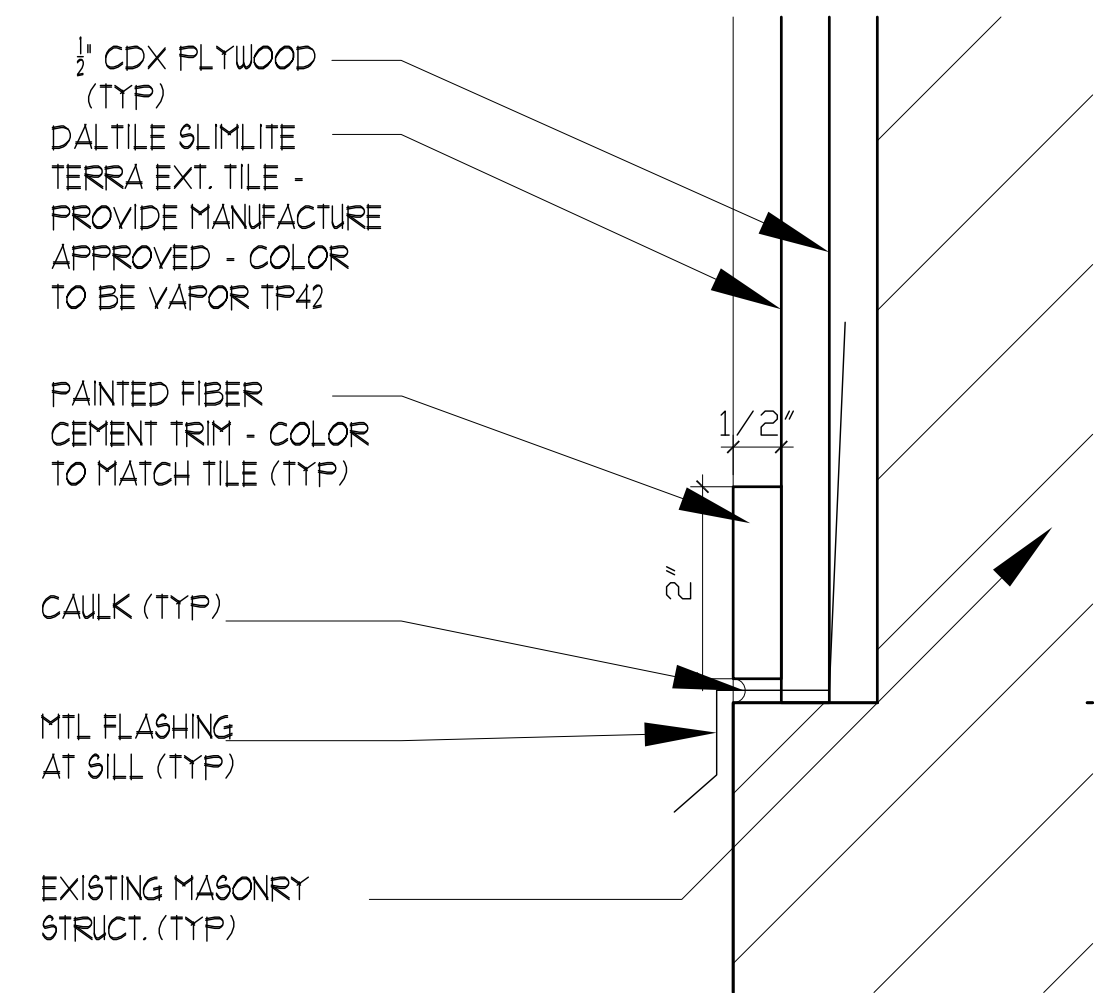
**3 CORNICE DETAIL**  
SCALE: 1-1/2" = 1'-0"



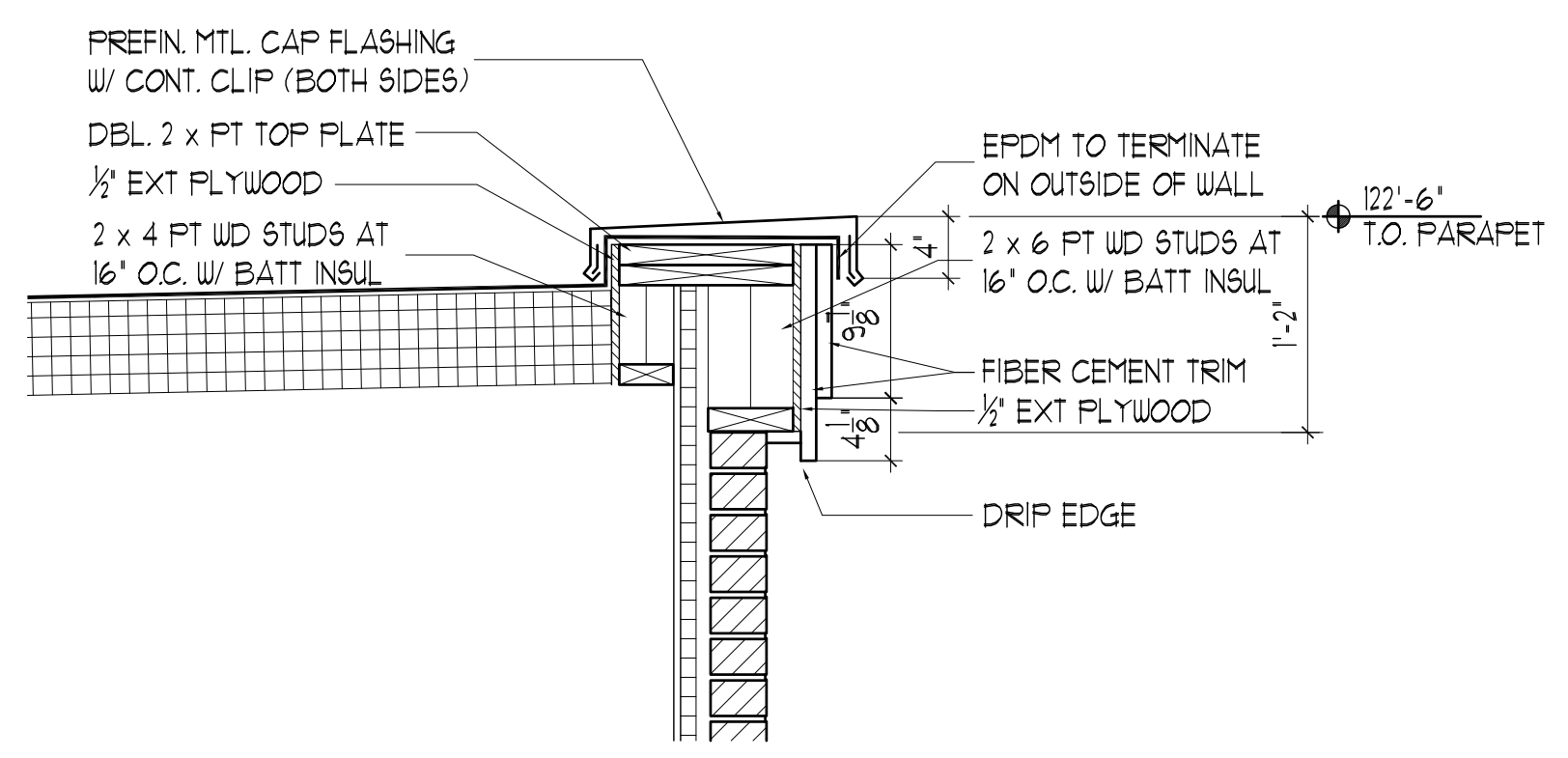
**2 CORNICE DETAIL**  
SCALE: 1-1/2" = 1'-0"



**5 SLIMLITE PANEL HEAD/JAMB DETAIL**  
SCALE: 6" = 1'-0"



**4 SLIMLITE PANEL SILL DETAIL**  
SCALE: 6" = 1'-0"



**1 PARAPET DETAIL**  
SCALE: 1" = 1'-0"

